

EAR系列单向减压阀



EAR1100/EAR2100

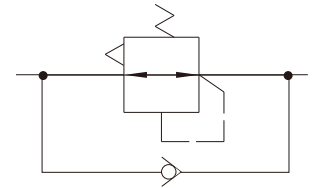


EAR3100



EAR4100

符号

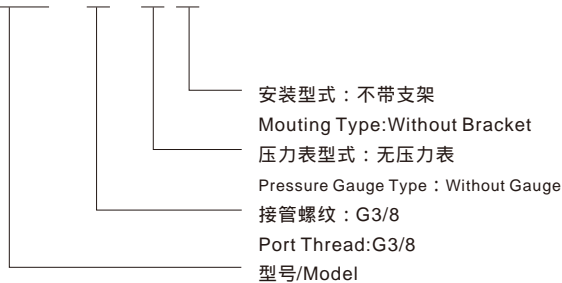


技术参数

型号Model	EAR1100/EAR2100	EAR3100	EAR4100
最高使用压力/ Operating Pressure MPa	1.0		
允许耐压力/ Max Pressure MPa	1.5		
使用温度 / Operating Temperature	0~60		
设定压力范围/ Set Pressure MPa	0.05~0.85		
溢流压力/ Overflow Pressure MPa	设定压力/ Set Pressure + 0.05		
配管螺纹 / Port Thread G	1/8、1/4	1/4、3/8、1/2	3/8、1/2 (3/4 配合变径接头使用/ 3/4 For reduced joint)
机能说明/ Functional Description	<p>从进口端气压被引入时，单向阀由于进口压力和弹簧压力作用而关闭，作为通常的减压阀工作。当进口端压力被残压排出阀或换向阀排出的同时，单向阀被打开，出口端气体经单向阀到达进口端，由于出口气体部分被排出，压力下降，调压弹簧动作，压下膜片组件，主阀部分被打开，出口端的空气全部排出。（注：出口端压力高于进口端压力0.05MPa以上单向阀才能开启）</p> <p>Was introduced from the inlet pressure, the check valve inlet pressure and spring pressure as the role of closed, as is usually the valve work. When the inlet pressure is residual pressure discharge valve or valve discharge at the same time, one-way valve is opened, the outlet gas imports arrive by the end of a one-way valve, as Part of the export gas is discharged, the pressure drop, pressure regulator spring action, pressing the diaphragm assembly, part of the main valve is opened, all the exhaust air outlet. (Note: The outlet pressure is higher than the inlet pressure of 0.05MPa or more one-way valve to open)</p>		

型号命名

(a) - (b) - (c) (d)
EAR3100 - 03 - □ □



单向减压阀

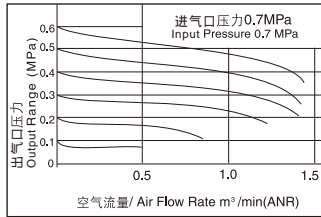
(a) 型号 Model	(b) 接管螺纹 Port Thread	最高使用压力 Operating Pressure (MPa)	调压范围 Set Pressure (MPa)	最大流量/ Max Air Flow * M ³ /min(ANR)
EAR1100-01	G1/8	1.0	0.05~0.85	0.6
EAR2100-02	G1/4			1.0
EAR3100-02	G1/4			2.1
EAR3100-03	G3/8			2.8
EAR3100-04	G1/2			3.5
EAR4100-03	G3/8			4.0
EAR4100-04	G1/2	5.0		
EAR4100-06	G3/4	6.0		

使用温度范围:0~60
* 进气口压力0.7MPa、设定压力0.5MPa、压力降0.1MPa

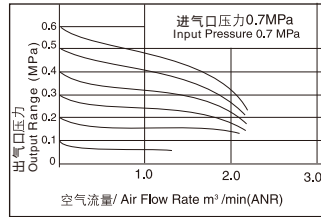
(a) 型号 Model	(b) 接管螺纹 Port Thread		(c) 压力表型式 Pressure Gauge Type		(d) 安装型式 Mouting Type	
EAR1100	01	G1/8	空白 Blank	无压力表 Without Gauge	空白 Blank	不带支架 Without Bracket
EAR2100	02	G1/4				
EAR3100	02	G1/4	S	GS-27 方形压力表/ Square	B	C型支架 C-Bracket
	03	G3/8				
04	G1/2					
03	G3/8					
EAR4100	04	G1/2	R1	GR-40 圆形压力表/Round	B3	L型支架 L-Bracket
	06	G3/4				

流量特性

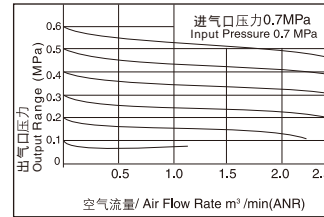
EAR1100-01



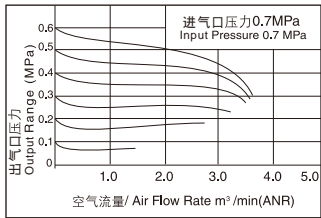
EAR2100-02



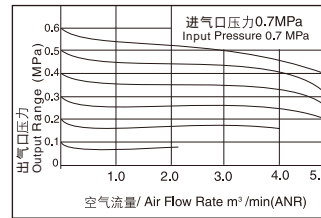
EAR3100-02



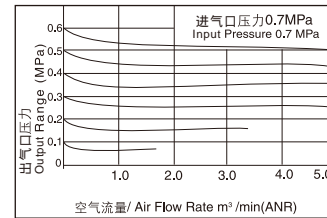
EAR3100-03



EAR4100-03



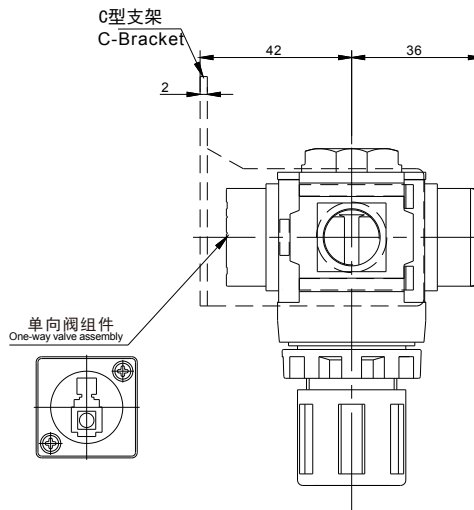
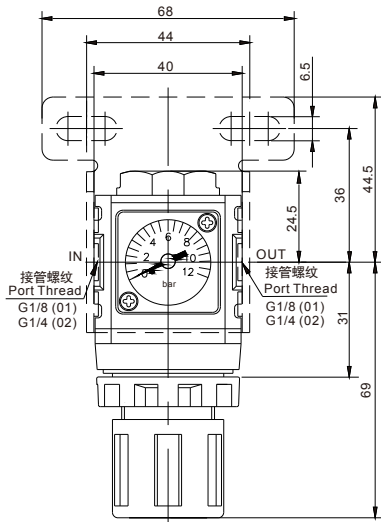
EAR4100-04



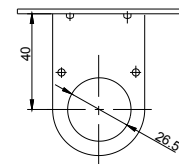
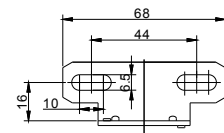
外形与安装尺寸

EAR1100

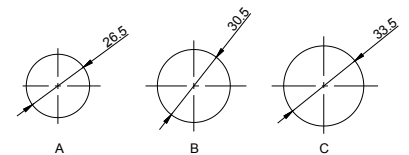
EAR2100



L型支架安装孔
L-Bracket Mounting Hole

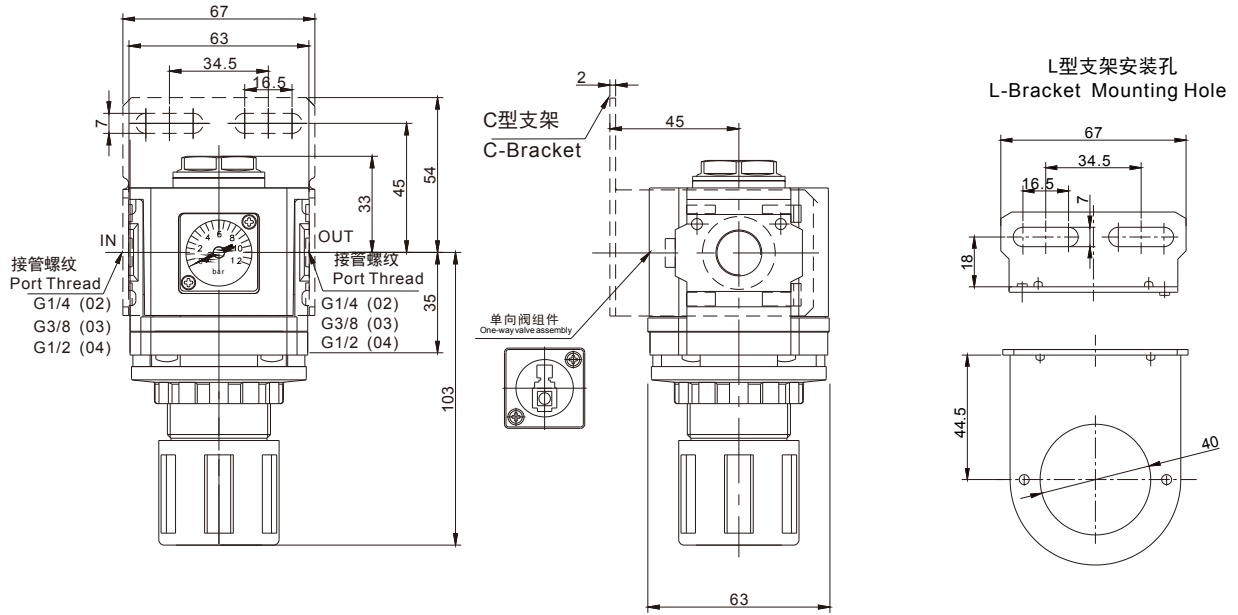


适用于面板安装孔
Kneading board



外形与安装尺寸

EAR3100



EAR4100

